

# Adjustable LED Floodlight



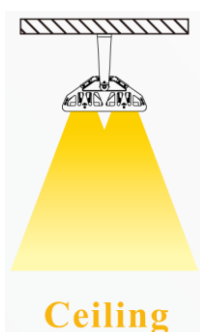
## Features

- ◆  $\pm 30^\circ$  Adjustable angle for each single module
- ◆ Beam Angle:: Symmetric:  $10^\circ/30^\circ/45^\circ/60^\circ/120^\circ$   
Asymmetric:  $65^\circ \times 135^\circ/85^\circ \times 135^\circ$
- ◆ Simple structure for Surface mount or hanging
- ◆ High light efficiency of 130lm/W
- ◆ 5 years of warranty

## General Specification

Input Voltage Range	90-305Vac
Power Factor	> 0.9
Total Harmonic Distortion	< 20%
Color Temperature	3000-6500K
Ingress Protection Rating	IP65
Dimmable	1-10V Dimmable(Optional)
Operating Temperature	-40°C to 50°C

## Application

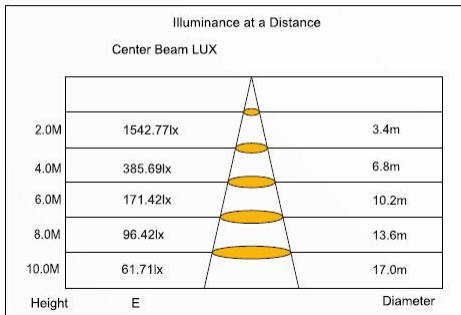


# Specification

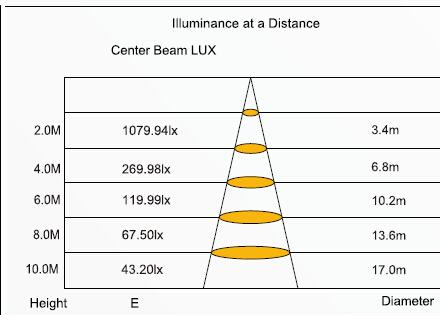
Model Number	Power Consumption (W)	Luminous Flux (lm)	Module Number	Weight(kg)
NOL-FL030L	30	3,900lm	1	3.5kg
NOL-FL050L	50	6,500lm	1	3.5kg
NOL-FL080L	80	10,400lm	1	3.5kg
NOL-FL100L	100	13,000lm	1	3.5kg
NOL-FL150L	150	19,500lm	2	5.8kg
NOL-FL200L	200	26,000lm	2	5.8kg
NOL-FL240L	240	31,200lm	3	8.0kg
NOL-FL300L	300	39,000lm	3	8.0kg

## AAI Figure

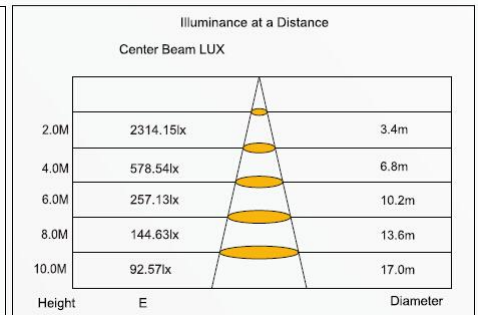
**FL01-100W 120°**



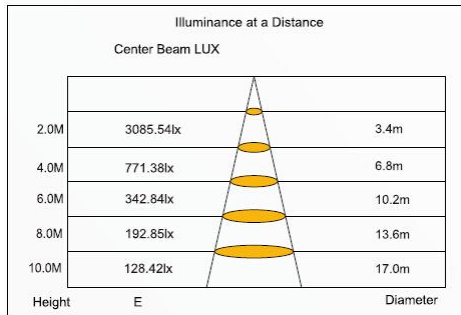
**FL01-70W 120°**



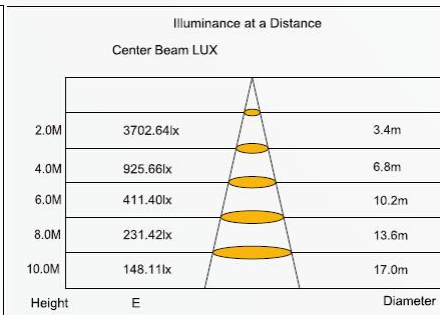
**FL02-150W 120°**



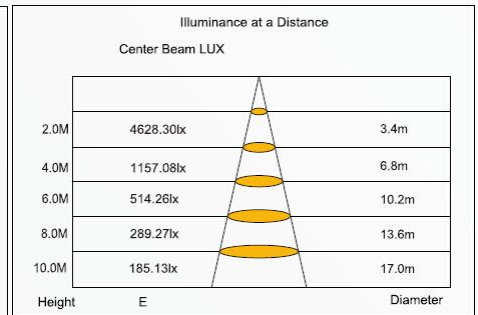
**FL02-200W 120°**



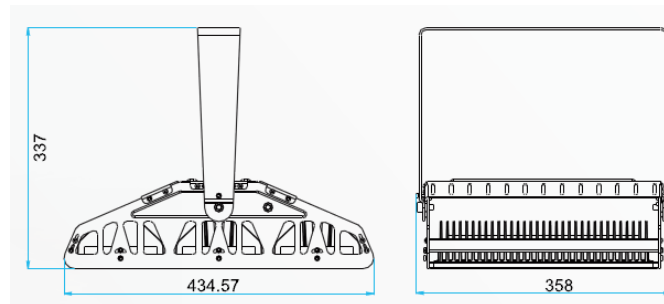
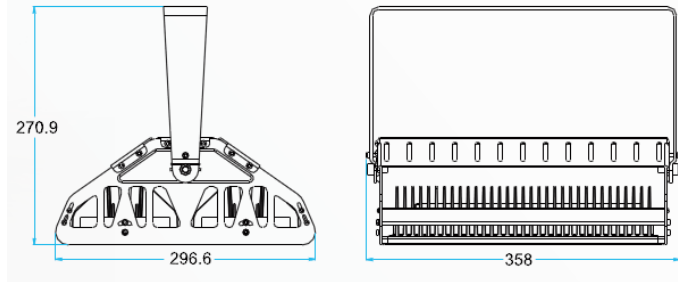
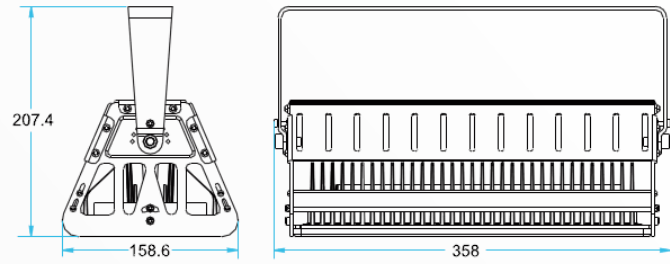
**FL03-240W 120°**



**FL03-300W 120°**

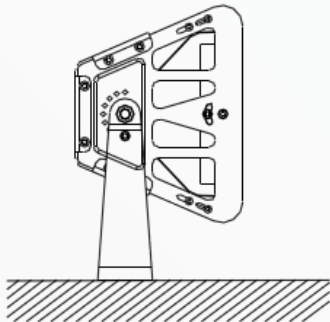


## Dimension ( Unit : mm )

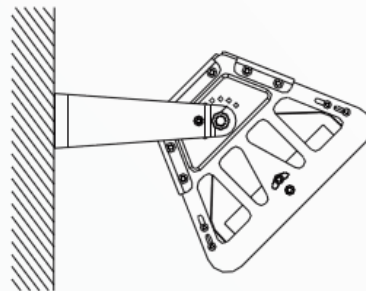


## Installation

Mounting type  
seat type



wall type



ceiling type

